



KÖSTER Roof Vent Rain Hood

Technical Data Sheet RT 915 020

Issued: 2019-10-07

Rain Hood, suitable for KÖSTER Vent system fan

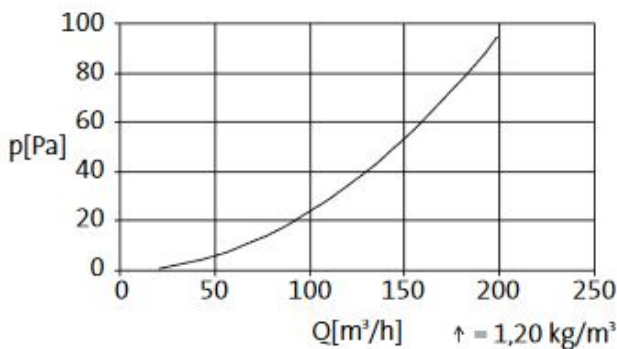
Features

- Rain Hood, suitable for KÖSTER Vent system fan
- Highly functional system of precisely matched components
- Easy to install
- As living space ventilation and deaerator and sewage pipe ventilation
- Particularly high rainfall safety
- Flow-optimized ventilation properties
- With proven backflow protection
- Version for variable insulation thicknesses
- Weathering, frost and UV resistant

Technical Data

- Material: polyamide, black
- Surface: smooth
- Connection diameter: DN 100
- Fire behavior B2 (normal inflammable)
- Temperature resistance: - 20 °C / + 80 °C

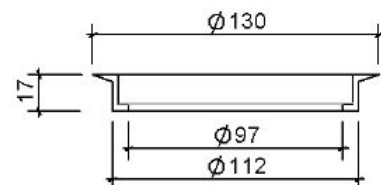
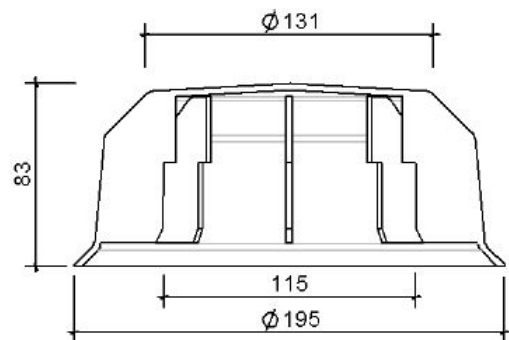
Pressure drop characteristic



Safety



Other



Fields of Application

- Ventilation of bathrooms and toilets without outside windows
- Dirty water ventilation (DIN 1986)
- Ventilation for kitchen extractor hoods
- Controlled domestic ventilation
- Cold roof ventilation

Application

The installation of the KÖSTER Vent rain hood is installed in accordance with the KÖSTER installation instructions, the KÖSTER TPO installation instructions and the technical manual of KÖSTER BAUCHEMIE AG.

Packaging

RT 915 020

piece

Related products

KÖSTER ECB 2.0

Prod. code RE 820

The information contained in this technical data sheet is based on the results of our research and on our practical experience in the field. All given test data are average values which have been obtained under defined conditions. The proper and thereby effective and successful application of our products is not subject to our control. The installer is responsible for the correct application under consideration of the specific conditions of the construction site and for the final results of the construction process. This may require adjustments to the recommendations given here for standard cases. Specifications made by our employees or representatives which exceed the specifications contained in this technical guideline require written confirmation. The valid standards for testing and installation, technical guidelines, and acknowledged rules of technology have to be adhered to at all times. The warranty can and is therefore only applied to the quality of our products within the scope of our terms and conditions, not however, for their effective and successful application. This guideline has been technically revised; all previous versions are invalid.

KÖSTER BAUCHEMIE AG • Dieselstraße 1-10 • D-26607 Aurich • Tel. 04941/9709-0 • Fax -40 • info@koester.eu • www.koester.eu

KÖSTER ECB 2.0 F	Prod. code RE 820 F
KÖSTER TPO 1.5	Prod. code RT 815
KÖSTER TPO 1.5 SK (FR)	Prod. code RT 815 SK (FR)
)
KÖSTER TPO 1.8	Prod. code RT 818
KÖSTER TPO 2.0	Prod. code RT 820
KÖSTER TPO 2.0 F	Prod. code RT 820 F
KÖSTER TPO 2.0 F (FR)	Prod. code RT 820 F (FR)
KÖSTER TPO 2.0 SK (FR)	Prod. code RT 820 SK (FR)
)
KÖSTER Roof Vent DN 100	Prod. code RT 915 014
KÖSTER Baseplate Roof Vent DN 100	Prod. code RT 915 015

The information contained in this technical data sheet is based on the results of our research and on our practical experience in the field. All given test data are average values which have been obtained under defined conditions. The proper and thereby effective and successful application of our products is not subject to our control. The installer is responsible for the correct application under consideration of the specific conditions of the construction site and for the final results of the construction process. This may require adjustments to the recommendations given here for standard cases. Specifications made by our employees or representatives which exceed the specifications contained in this technical guideline require written confirmation. The valid standards for testing and installation, technical guidelines, and acknowledged rules of technology have to be adhered to at all times. The warranty can and is therefore only applied to the quality of our products within the scope of our terms and conditions, not however, for their effective and successful application. This guideline has been technically revised; all previous versions are invalid.

KÖSTER BAUCHEMIE AG • Dieselstraße 1-10 • D-26607 Aurich • Tel. 04941/9709-0 • Fax -40 • info@koester.eu • www.koester.eu